

## WASHBASINS, VANITY WASHBASIN (BASIN ONLY), VANITY SINKS SUBWAY

### PRODUCT INFORMATION

#### 1 . POSITION



Model	7175U3
Width	31 1/2" inch
Depth	18 1/2" inch
Weight	52,47 lbs
Description	<p>Sanitary porcelain incl. fastening set for installation to the wall</p> <p>This vanity sink is made of finefire clay. The vanity sink is 31 1/2" (800mm) x 18 1/2" (470mm). The product is with overflow and has 3 punched out faucet holes 1 3/8" (35 mm) 8" spread. The product is with ceramic plus. The vanity sink is Villeroy &amp; Boch model 7175U3.</p> <p>Code Compliance: UPC, IPC, NSPC, NPC Canada and others, meets and exceeds ASME A112.19.2/CSA B45.1 ASME A112.19.14, ADA compliant one year limited warranty waste diameter: 1 1/4" O.D. basin dimensions: 19 5/8" x 11 3/4" (500 x 300mm)</p>
Tap fitting / Tap hole remark	For 8" spread faucets
Overflow remark	with overflow
Material	Sanitary porcelain
Specification texts	<p>; Vanity washbasin 31"; Sanitary porcelain; Size: 31 1/2" x 18 1/2" (800 x 470 mm); Angular; For 8" spread faucets; with overflow; incl. fastening set for installation to the wall; This vanity sink is made of finefire clay. The vanity sink is 31 1/2" (800mm) x 18 1/2" (470mm). The product is with overflow and has 3 punched out faucet holes 1 3/8" (35 mm) 8" spread. The product is with ceramic plus. The vanity sink is Villeroy &amp; Boch model 7175U3.; Code Compliance: UPC, IPC, NSPC, NPC Canada and others, meets and exceeds ASME A112.19.2/CSA B45.1 ASME A112.19.14, ADA compliant; one year limited warranty; waste diameter: 1 1/4" O.D.; basin dimensions: 19 5/8" x 11 3/4" (500 x 300mm)</p>

### COLOURS

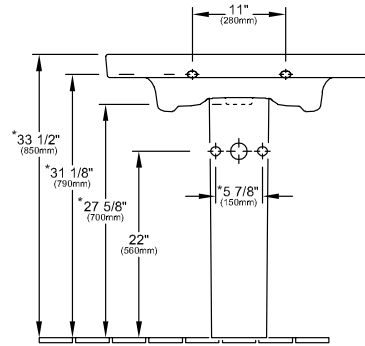
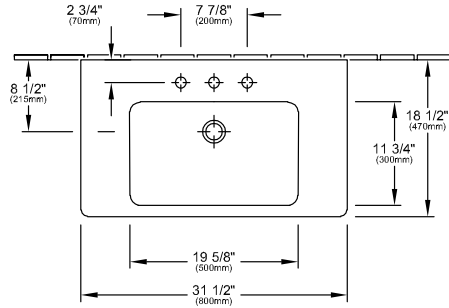
---

White Alpin	7175U301	4051202171162
White Alpin CeramicPlus	7175U3R1	4051202171155

---

# TECHNICAL DRAWINGS

## 7175U3



\* Suggested Dimension

