

WASHBASINS, UNDERCOUNTER WASHBASIN, UNDERCOUNTER WASHBASINS TWIST

PRODUCT INFORMATION

1 . POSITION



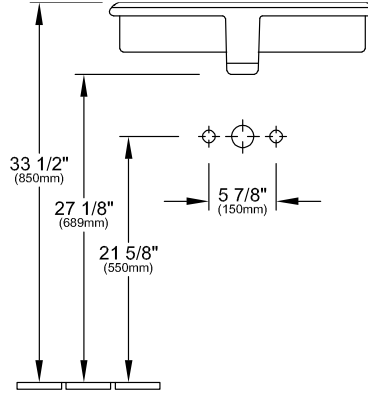
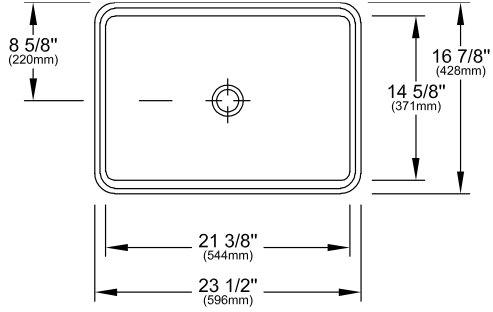
Model	5A0721
Width	21" inch
Depth	14 5/8" inch
Weight	22,99 lbs
Description	<p>Interior glazed only, centered drain, exposed overflow drain line Sanitary porcelain the hole for the washbasin can only be cut out using the original washbasin because dimension tolerances are possible fastening set included This undermount sink is made of vitreous china. The undermount sink is 23 1/2" x 16 7/8". The product is with overflow. The product is outside surface not glazed. The undermount sink is Villeroy & Boch model 5A0721. meets and exceeds ASME A112.19.2/CSA B45.1 ASME A112.19.14, Code Compliance: UPC, IPC, NSPC, NPC Canada and others, ADA compliant rear drain one year limited warranty waste diameter: 1 1/4" O.D. basin dimensions: 21 3/8" x 14 5/8" (545 x 370mm)</p>
Tap fitting / Tap hole remark	Without faucet hole
Overflow remark	with overflow
Material	Sanitary porcelain
Specification texts	<p>; Undercounter washbasin; Sanitary porcelain; Size: 21" x 14 5/8" (533 x 371 mm); Angular; Interior glazed only, centered drain, exposed overflow drain line; Without faucet hole; with overflow; the hole for the washbasin can only be cut out using the original washbasin because dimension tolerances are possible; fastening set included; This undermount sink is made of vitreous china. The undermount sink is 23 1/2" x 16 7/8". The product is with overflow. The product is outside surface not glazed. The undermount sink is Villeroy & Boch model 5A0721.; meets and exceeds ASME A112.19.2/CSA B45.1 ASME A112.19.14, Code Compliance: UPC, IPC, NSPC, NPC Canada and others, ADA compliant; rear drain; one year limited warranty; waste diameter: 1 1/4" O.D.; basin dimensions: 21 3/8" x 14 5/8" (545 x 370mm)</p>

COLOURS

White Alpin	5A072101	4047289330295
Bisquit	5A0721P8	4047289378235

TECHNICAL DRAWINGS

5A0721



Note: Fixture dimensions meet ASME A112.19.2 requirements.
These measurements are subject to change or cancellation.
No responsibility will be assumed for use of superseded or voided pages.