

WCS, EUROPEAN WASHDOWN TWO PIECE WC, TOILETS, 2PC-WASHDOWN,
FLOOR-MOUNTED TOILETS SUBWAY

PRODUCT INFORMATION

1 . POSITION



Model	6610U1
Width	14 5/8" inch
Height	31 7/8" inch
Depth	26 3/8" inch
Weight	80,47 lbs
Description	<p>Overall dimensions: (L) 26 3/8" x (W) 14 5/8" x (H) 31 1/8" washdown model, preferred height Sanitary porcelain rough-in from 10 1/2" to 13" possible includes "Vario Drainbend" for vertical outlet installation, Incl. fastening set for concealed mounting system EN 997</p> <p>This two-piece toilet is made of vitreous china. The two-piece toilet is 27 3/8" (680mm) x 14 5/8" (370mm) x 31 7/8" (810mm). The product has a concealed trapway and a D-shape bowl. The product is available with ceramic plus. The product has a water use of 1.6/0.8. gpf (6/3 lpf). The two-piece toilet is Villeroy & Boch model 6610U1.</p> <p>meets and exceeds ASME A112.19.2/CSA B45.1 ASME A112.19.14, Certifications: IAPMO(cUPC), EPA Watersense, City of Los Angeles and others, Code Compliance: UPC, IPC, NSPC, NPC Canada and others, EPA - Watersense washdown model concealed trapway D-shape bowl one year limited warranty minimum Water pressure: 8 psi water surface: 4" x 5" (104 x 129mm) trap diameter: 2 1/8" (51mm) trap seal: 2 1/4" (55mm) minimum rough-in: 12" (305 mm) rough-in Vario drain Bend (use except with wax ring) duo-push button chrome finish</p>
Water use	0,79 / 1,59 gal
Installation	floor-standing
Outlet	concealed trapway
Material	Sanitary porcelain
Leed	2

Specification texts

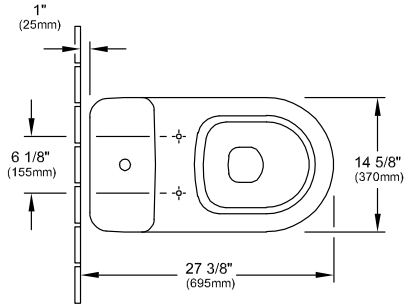
; Washdown toilet for close-coupled WC-suite; Overall dimensions: (L) 26 3/8" x (W) 14 5/8" x (H) 31 1/8"; Sanitary porcelain; Size: 14 5/8" x 31 7/8" x 26 3/8" (370 x 810 x 670 mm); Oval; washdown model, preferred height; floor-standing; rough-in from 10 1/2" to 13" possible; Water use: 0,79 / 1,59 gal; Leed: 2; includes "Vario Drainbend" for vertical outlet installation, Incl. fastening set for concealed mounting system; EN 997; concealed trapway; This two-piece toilet is made of vitreous china. The two-piece toilet is 27 3/8" (680mm) x 14 5/8" (370mm) x 31 7/8" (810mm). The product has a concealed trapway and a D-shape bowl. The product is available with ceramic plus. The product has a water use of 1.6/0.8. gpf (6/3 lpf). The two-piece toilet is Villeroy & Boch model 6610U1.; meets and exceeds ASME A112.19.2/CSA B45.1 ASME A112.19.14, Certifications: IAPMO(cUPC), EPA Watersense, City of Los Angeles and others, Code Compliance: UPC, IPC, NSPC, NPC Canada and others, EPA - Watersense; washdown model; concealed trapway; D-shape bowl; one year limited warranty; minimum Water pressure: 8 psi; water surface: 4" x 5" (104 x 129mm); trap diameter: 2 1/8" (51mm); trap seal: 2 1/4" (55mm); minimum rough-in: 12" (305 mm) rough-in; duo-push button chrome finish; Vario drain Bend (use except with wax ring)

COLOURS

White Alpin	6610U101	4051202172121
White Alpin CeramicPlus	6610U1R1	4051202172138

TECHNICAL DRAWINGS

6610U1



See typical Floor mount water closet rough - in drawing

