



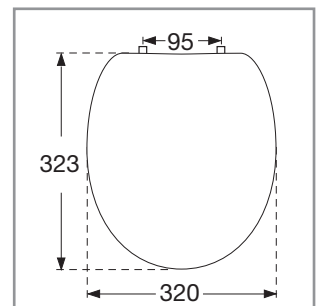
Urinal lid Bellevue

Model

98M3 S1 Bellevue urinal lid with Soft Closing, incl. 9220 57 61 urinal hinge

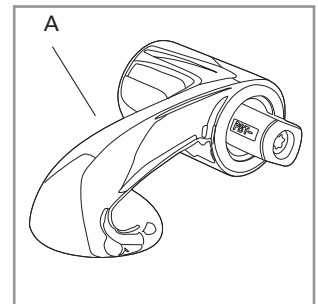
Product Description

Bellevue urinal lid made of colour ingrained duroplast with hinge in chrome and plastic
 – incl. urinal hinge in chrome steel
 – centre distance: 95 mm
 – 10 year guarantee



Colour Programme

01 White (Alpin)
 R2 Star White
 S3 Edelweiß

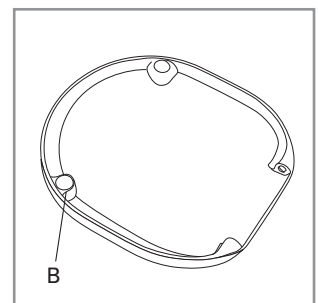


Hinge Finish

61 Chrome

Spare Parts

A) 9220 57 61 Urinal hinge
 B) 9220 94 00 Buffers for cover



Cleaning Instructions

Use a mild soap solution. Lid and hinge should not be left damp, but be dried with a soft cloth. When using abrasive, corrosive or chlorine based cleaners for the bowl, avoid contact with lid and hinge as it may lead to damages or flash rust. Therefore, when cleaning the bowl, make sure that lid is in an upright position until all the cleaner has been flushed away

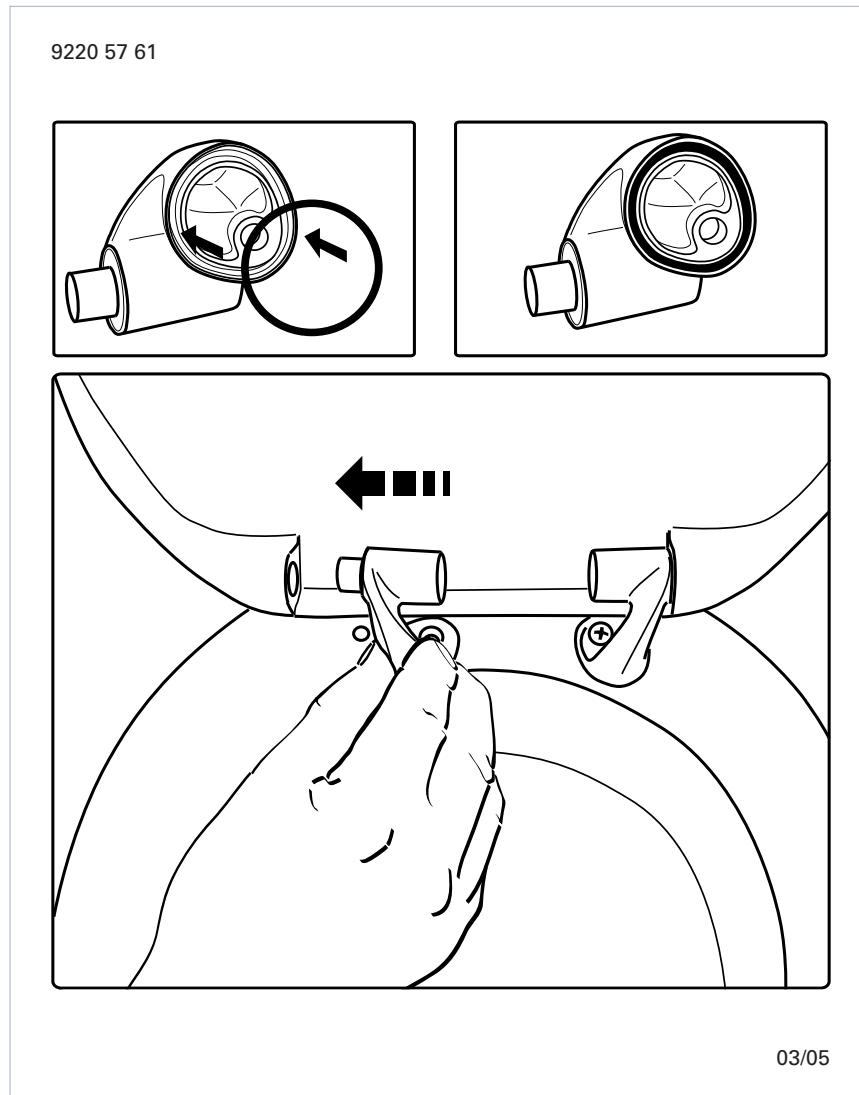


Villeroy & Boch

1748

Urinal lid Bellevue

Instruction manual



Material Description

URINAL LID: The material is colour ingrained duroplast (UF A 10 = urea formaldehyde) that contains no environmentally hazardous substances. The body consists of approx. 50% urea (NH_2CONH_2), approx. 25% cellulose and approx. 25% formaldehyde (HCHO), as well as small amounts of various fillers and additives.

BUFFERS: EVA (copolymer made of ethylene and vinyl acetate).

MOUNT/HINGE: Chrome hinge with integrated damper in stainless steel.
Damper liquid: Anti-friction liquid.

Guarantee

The guarantee includes faults or defects in the material of our products within a period of 10 years. Products subject to minor technical modifications and design deviations E. & O.E.