

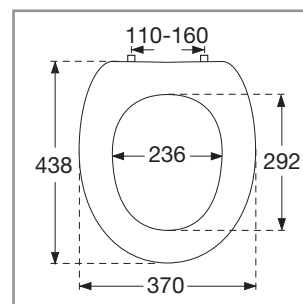
Toilet seat Omnia Pro/Public

Model

8824 61 Omnia Pro/Public toilet seat, incl. 8824 01 61 universal institutional hinge

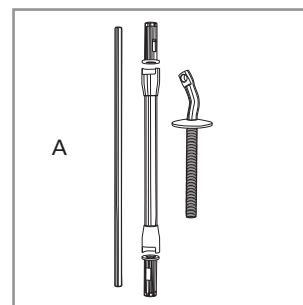
Product Description

Omnia Pro/Public toilet seat in Sandwich design made of colour ingrained duroplast with hinge in stainless steel and plastic
 – incl. universal institutional hinge in stainless steel
 – centre distance: 110-160 mm
 – load of ring seat: 240 kg
 – 10 year guarantee



Colour Programme

01 White (Alpin)
 09 Pergamon
 R4 Beige
 R5 Manhattan



Hinge Finish

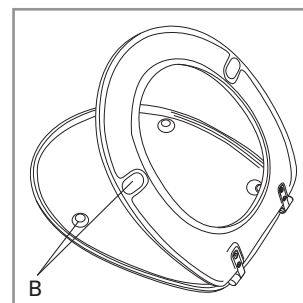
61 Stainless steel

Spare Parts

A) 8824 01 61 Universal institutional hinge
 B) 9220 80 00 Buffers for seat and cover

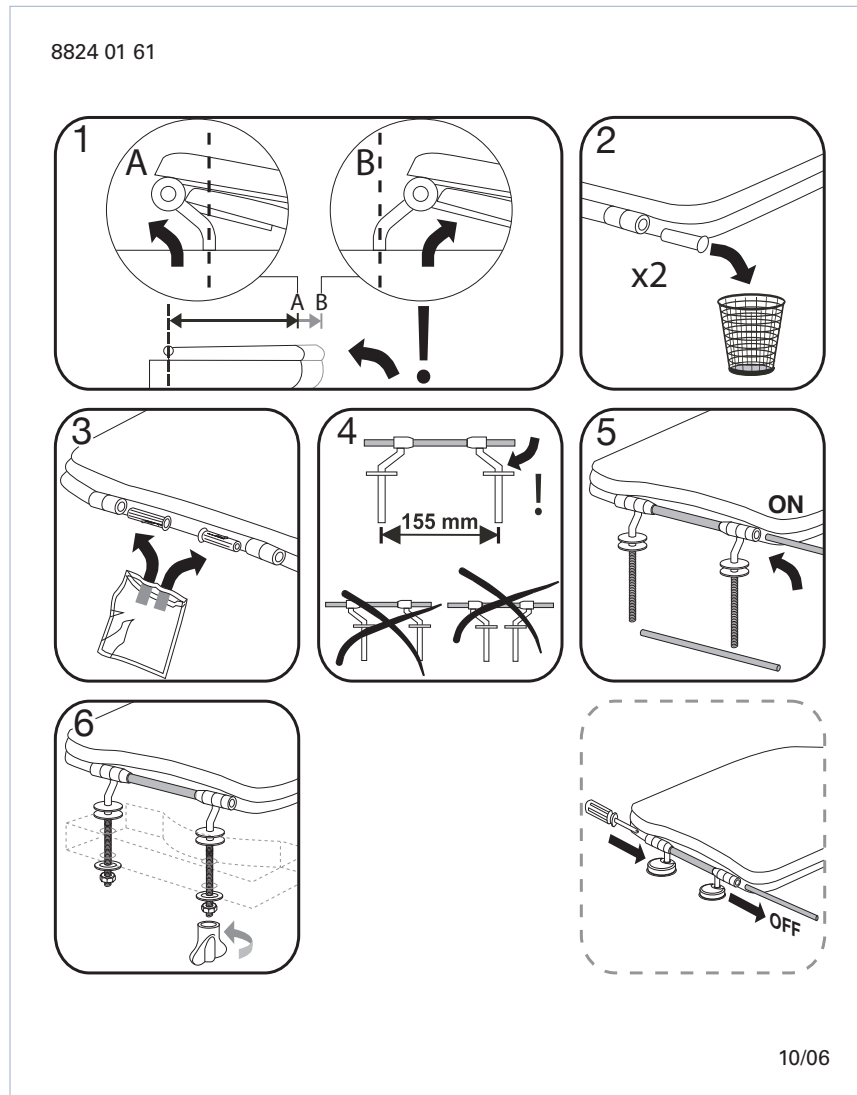
Cleaning Instructions

Use a mild soap solution. Seat and hinge should not be left damp, but be dried with a soft cloth. When using abrasive, corrosive or chlorine based cleaners for the bowl, avoid contact with seat and hinge as it may lead to damages or flash rust. Therefore, when cleaning the bowl, make sure that seat and cover are in an upright position until all the cleaner has been flushed away



Toilet seat Omnia Pro/Public

Instruction manual



Material Description

TOILET SEAT: The material is colour ingrained duroplast (UF A 10 = urea formaldehyde) that contains no environmentally hazardous substances. The body consists of approx. 50% urea (NH_2CONH_2), approx. 25% cellulose and approx. 25% formaldehyde (HCHO), as well as small amounts of various fillers and additives.

BUFFERS: EVA (copolymer made of ethylene and vinyl acetate).

MOUNT/HINGE: Stainless steel.

Guarantee

The guarantee includes faults or defects in the material of our products within a periode of 10 years. Products subject to minor technical modifications and design deviations E. & O.E.