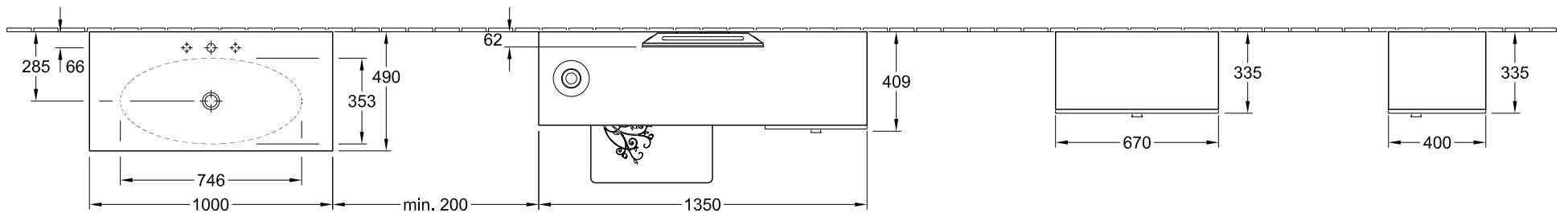
 220 - 240 V mains connection, loose ( protection sherpes of country, Regulation 601-02-01 )

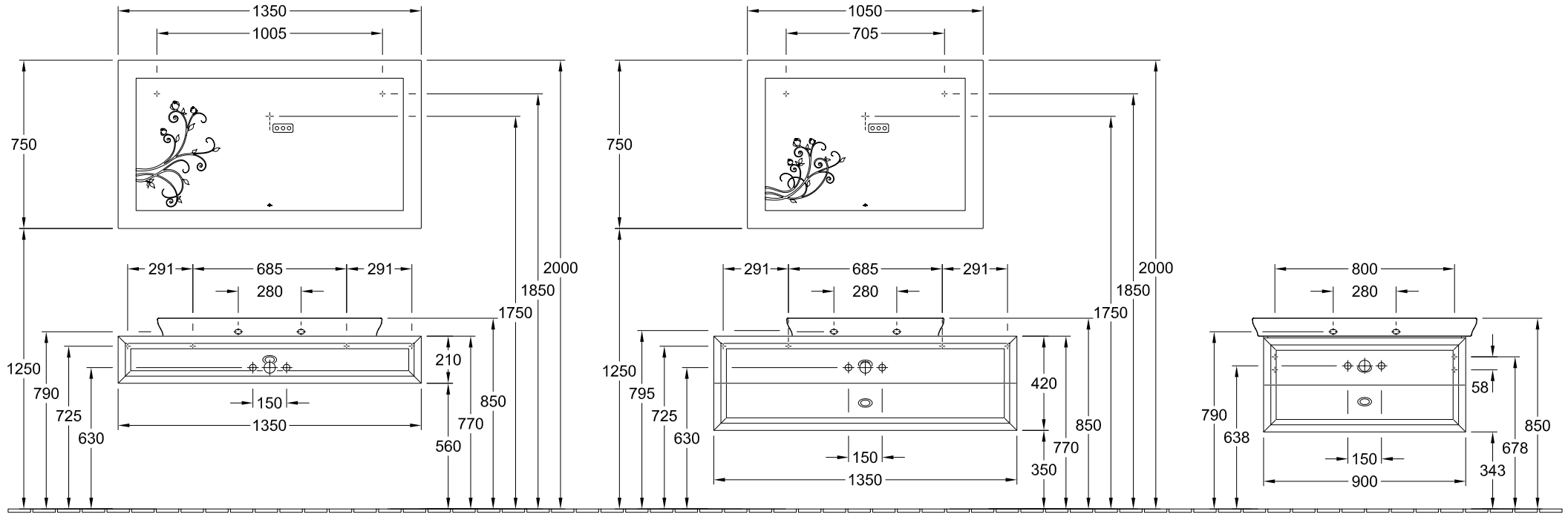
Please note: Leave electrical connections to an expert.  
Observe the protection sherpes of the country in question.



The dimensions indicated are not binding.  
Villeroy & Boch reserves the right to make product changes.

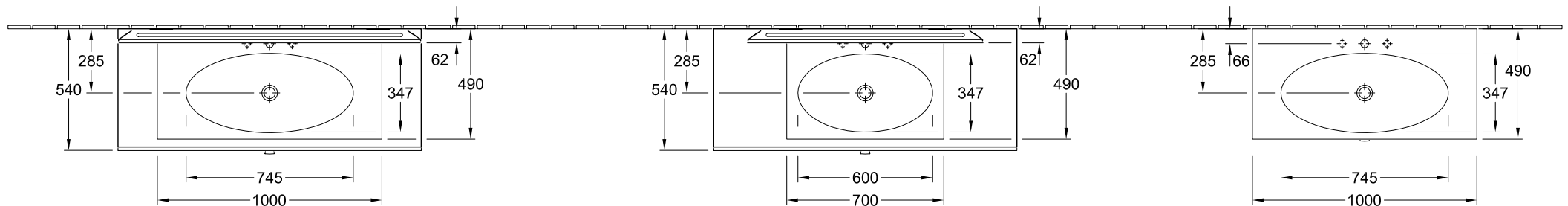
Dimensions in mm

Designation		1		<b>Villeroy&amp;Boch</b>
<b>LA BELLE</b>				
Overview of furniture				
Altered:		Scale:	1:25	
		Signed:	SCMI	
		Date:	10.11.2008	
This drawing may not be copied or passed on to third parties or competitive companies without our permission. Villeroy & Boch accepts no liability whatsoever for these data and technical drawings. Other parties use them at their own risk. The dimensions indicated are not binding. Villeroy & Boch reserves the right to make product changes.				



220 - 240 V mains connection, loose ( protection sheeps of country, Regulation 601-02-01 )

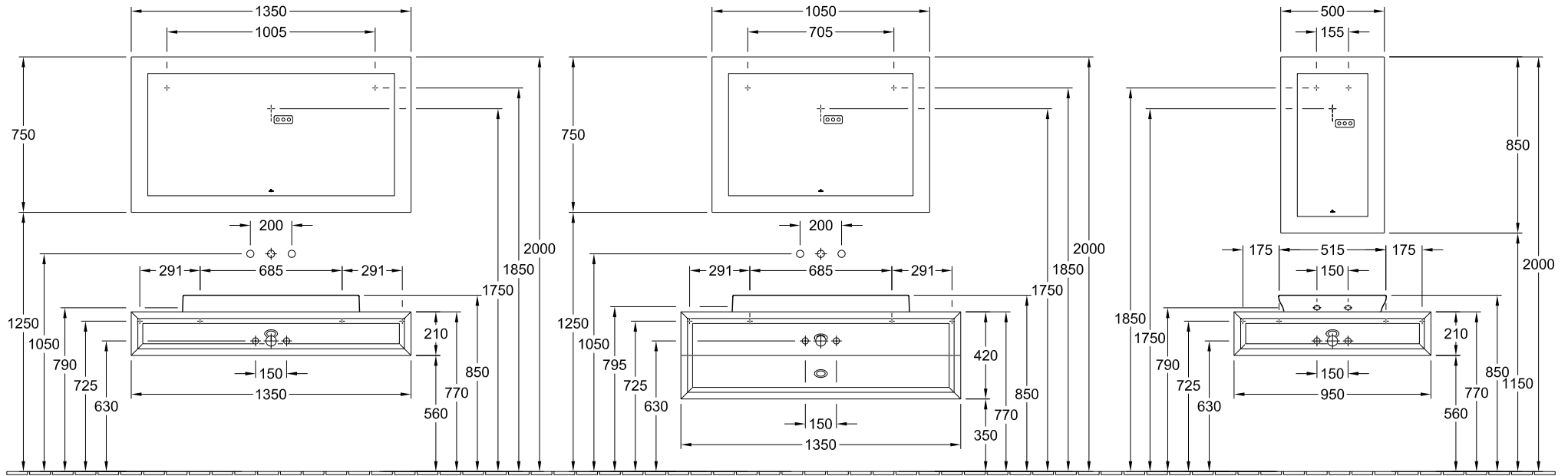
Please note: Leave electrical connections to an expert.  
Observe the protection sheeps of the country in question.



The dimensions indicated are not binding.  
Villeroy & Boch reserves the right to make product changes.

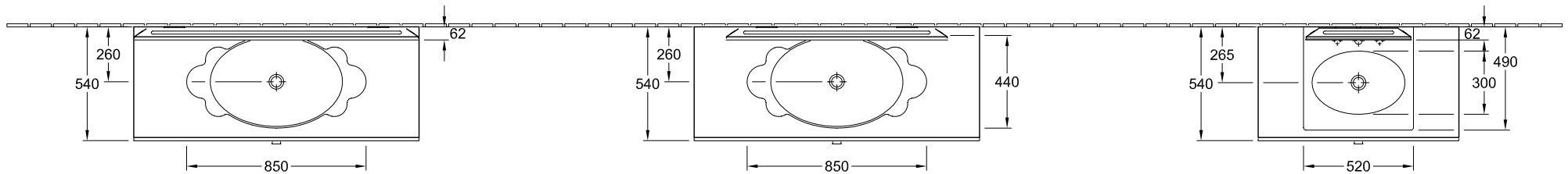
Dimensions in mm

Designation		2		<b>Villeroy&amp;Boch</b>
<b>LA BELLE</b>				
Overview of furniture				
Altered:		Scale:	1:25	
		Signed:	SCMI	
		Date:	19.11.2008	
This drawing may not be copied or passed on to third parties or competitive companies without our permission. Villeroy & Boch accepts no liability whatsoever for these data and technical drawings. Other parties use them at their own risk. The dimensions indicated are not binding. Villeroy & Boch reserves the right to make product changes.				



$\frac{N}{\text{ooo}}$  220 - 240 V mains connection, loose ( protection sherpes of country, Regulation 601-02-01 )

Please note: Leave electrical connections to an expert.  
Observe the protection sherpes of the country in question.



The dimensions indicated are not binding.  
Villeroy & Boch reserves the right to make product changes.

Dimensions in mm

Designation		3	<b>Villeroy&amp;Boch</b>	
<b>LA BELLE</b>				
Overview of furniture				
Altered:	Scale:	1:25	This drawing may not be copied or passed on to third parties or competitive companies without our permission. Villeroy & Boch accepts no liability whatsoever for these data and technical drawings. Other parties use them at their own risk. The dimensions indicated are not binding. Villeroy & Boch reserves the right to make product changes.	
	Signed:			SCMI
	Date:			19.11.2008